

5-Port 10/100Mbps Switch with 4-Port Passive PoE (33W)

24V PoE, Total PoE power budget 33W, 6KV Anti-surge

SF5P-PL



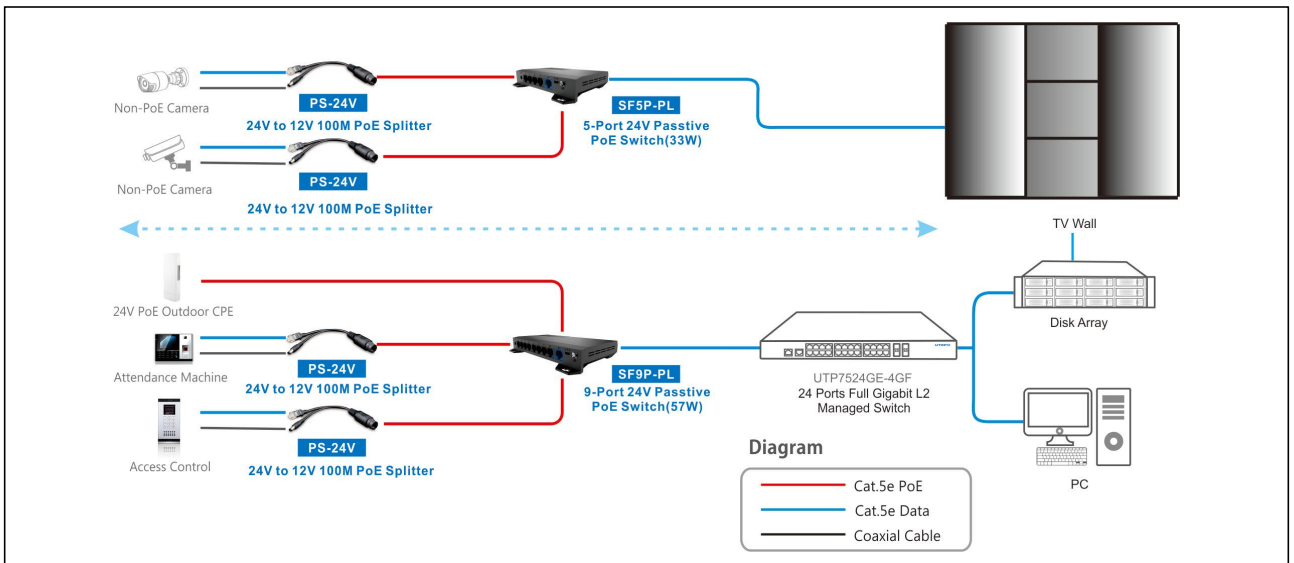
- 4*10/100Base-TX Ethernet Ports (24V PoE) + 1*10/100Base-TX Uplink Ethernet Port.
- Support passive PoE, the PoE power PIN assignment is 45(+), 78(-).
- Max PoE power of single port is 15W. Total PoE power budget is up to 33W.
- Support 3 working modes. Mode 1: Port 1-5 without PoE function. Mode 2: Port 1-3 with 24V PoE function, Port 4-5 without PoE function. Mode 3: Port 1-4 with 24V PoE function.
- Support 6KV surge immunity, 8KV ESD immunity and anti-interference function.
- Plug and play, no more configuration needed.



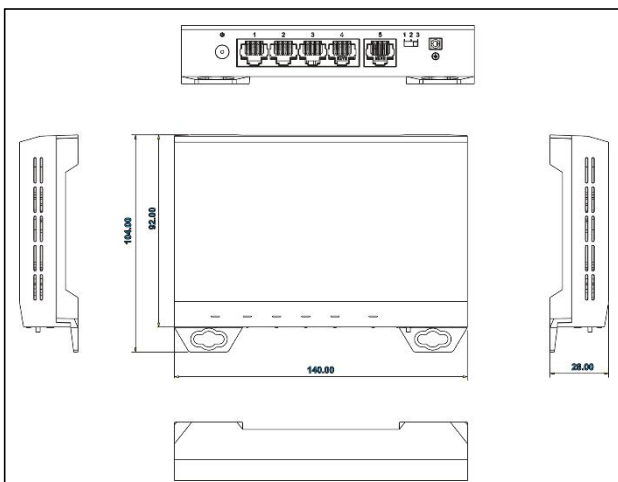
OVERVIEW

SF5P-PL, 5-Port 10/100Mbps Switch with 4-Port Passive PoE, provides 4*10/100Base-TX Ethernet Ports (24V PoE) + 1*10/100Base-TX Uplink Ethernet Port. The total PoE power budget is 33W. The SF5P-PL supports 3 working modes (Mode 1: Port 1-5 without PoE function. Mode 2: Port 1-3 with 24V PoE function, Port 4-5 without PoE function. Mode 3: Port 1-4 with 24V PoE function.) And it is widely used in security video monitoring and network engineering etc..

APPLICATION



DIMENSION



PORT DETAILS



SPECIFICATION

Model	SF5P-PL
Downlink Port	4*10/100Base-TX Ethernet Ports (Passive PoE)
Uplink Port	1*10/100Base-TX Ethernet Port
Network Standard	IEEE802.3, IEEE802.3u, IEEE802.3X
Switch Fabric	1Gbps
Packet Forwarding Rate	0.74Mpps
Interface Buffer	448 Kbits
MAC Address	1K
Working Mode	Mode 1: Port 1-5 without PoE function. Mode 2: Port 1-3 with 24V PoE function, Port 4-5 without PoE function. Mode 3: Port 1-4 with 24V PoE function.
PoE Standard	Passive PoE
PoE Power Pin Assignment	4/5(+), 7/8(-)
PoE Power Output	PoE power output for single port ≤15W (24V DC). Total PoE power budget≤45W
Surge Immunity	6KV, IEC61000-4-5
ESD Immunity	Contact discharge 6KV, air discharge 8KV. IEC61000-4-2
Input Power	DC 24V1.2A, MAX 36W
Operating Temperature	0°C~40°C
Storage Temperature	-40°C~85°C
Operating Humidity	5%-95% (Non-condensing)
Dimension (L*W*H)	140*104*28mm (L*W*H)
Certification	CE, FCC, RoHS

PACKING LIST

ITEM	QTY
Ethernet Switch	1 pc
Power Adaptor	1 pc
User Manual	1 pc

RELATED PRODUCTS

NAME	MODEL
9-Port 10/100Mbps Switch with 8-Port Passive PoE (57W)	SF9P-PL
9-Port 10/100Mbps Switch with 8-Port Passive PoE (93W)	SF9P-PH